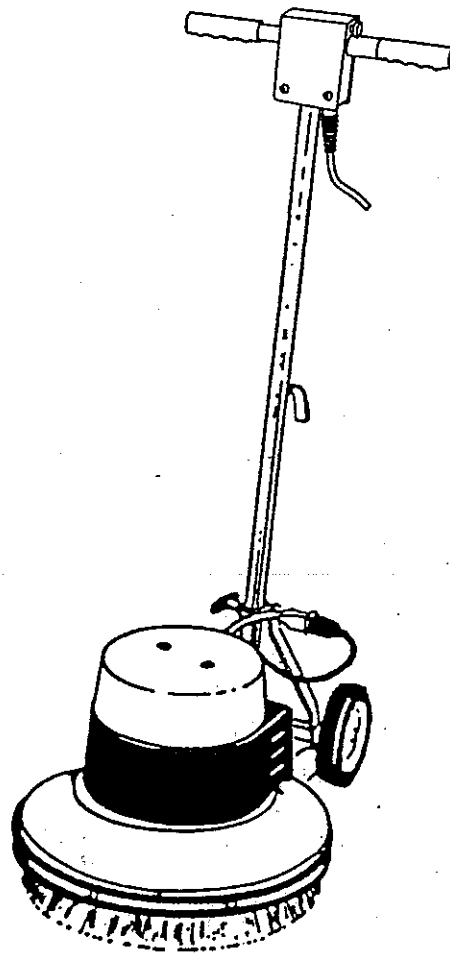


Special Series Floor Machines

Model: M17760-05
M20760-01 (2SP)⁽¹⁾
M20760-04 (2SP)⁽²⁾
M20760-06

■ OPERATION ■ SERVICE ■ PARTS ■ CARE



Revised 5/93

Minuteman[®]

OPERATION

The brush is attached in the following manner: Tip machine backward with handle on the floor. Brush is then inserted over the lugs on the bottom of the gear unit and twisted to the left. This secures the clutch plate of the brush over the lugs on the gear unit in the correct driving position.

DO NOT INSTALL BRUSH BY RUNNING MACHINE OVER IT.

Due to the rotation of a single disc machine, it will naturally have a tendency to move to the right or left, depending on the operator's slight pressure either up or down on the handle. If the handle is lifted slightly up, the machine will travel to the right; a downward pressure, and it will travel to the left. It is this maneuverability that enables an operator to cover large areas in a short time with the least amount of effort. The machine can be made to operate without travel by balancing...**KEEPING THE BRUSH PRESSURE ON THE FLOOR EQUAL.** With a few minutes of practice in a large area, you will have perfect fingertip control of the machine.

DO NOT FIGHT THE MACHINE. FOLLOW THE DIRECTIONS ABOVE AND LET THE MACHINE DO THE WORK.

DO NOT SUBJECT THE BRUSHES TO UNNECESSARY PRESSURE. Remove the brush from the machine when not in use. If the machine wobbles, it is an indication of uneven brush bristles or an off-center clutch plate.

Machine should always be started in high. Speed changes from high to low should be done during operation. Low speed starting can cause excessive carbon brush wear.

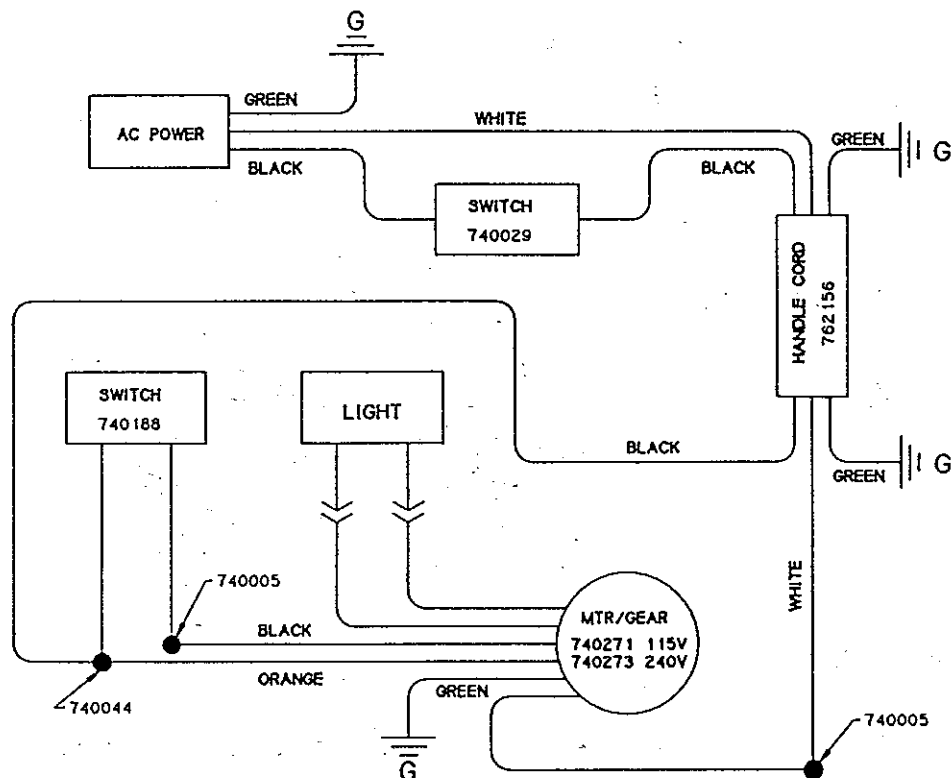
PREVENTIVE MAINTENANCE

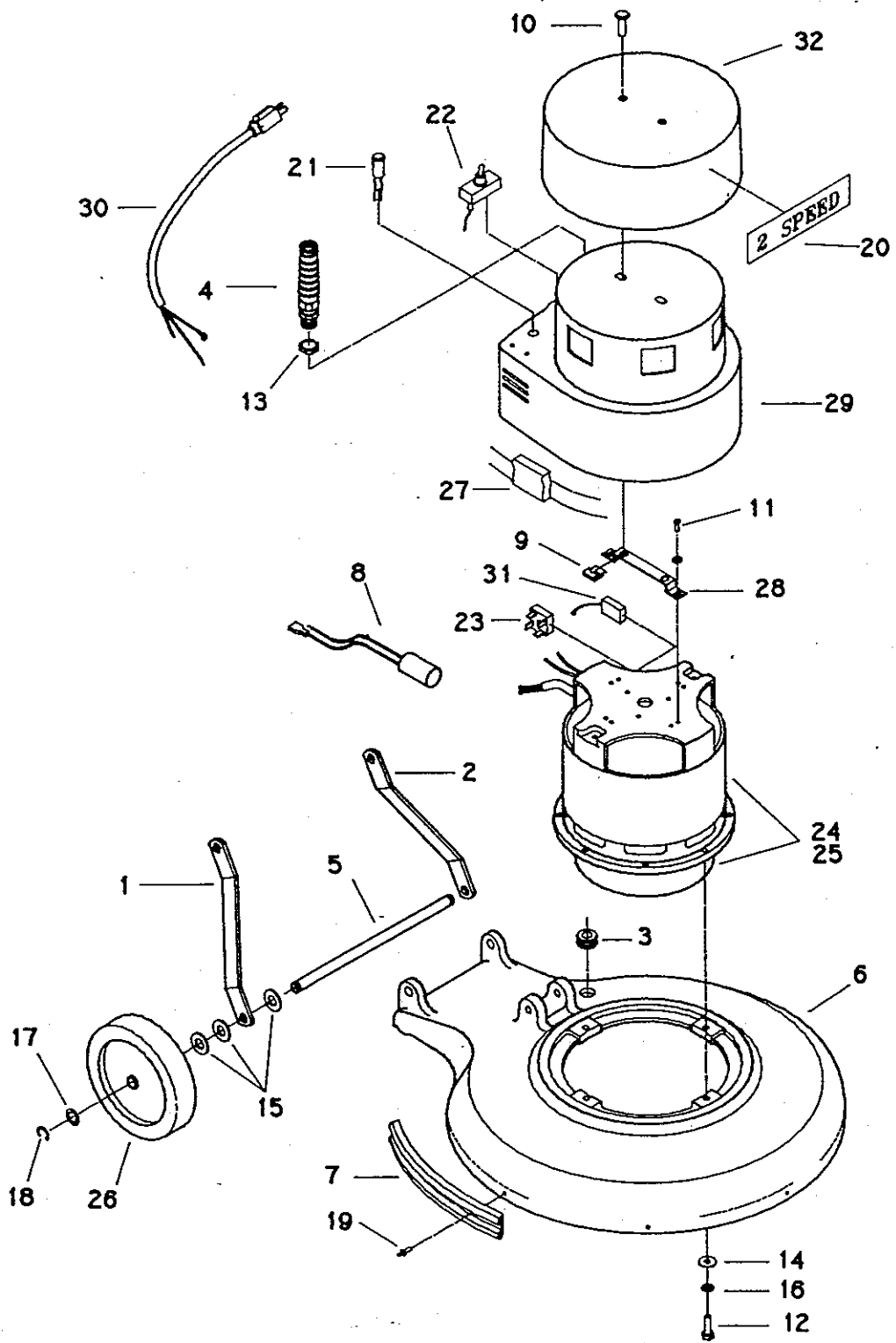
This machine employs a motor carbon brush wear indicator light located on the rear of the motor cover. This will illuminate when the brushes are worn to the point where there is approximately 250 running hours remaining. The carbon brushes should be replaced shortly after this light indicates excessive wear.

Inspect motor carbon brushes approximately every 250 hours. A set of carbon brushes should last as long as 2500 hours. Premature wear may indicate other problems with the motor. These can be inspected by removing the motor cover. Indications for changing carbon brushes should be if the indicator light comes on or if the carbon brushes are flush with or slightly recessed in the brass brush holder.

Periodically clean the motor by removing motor cover and blowing out with compressed air.

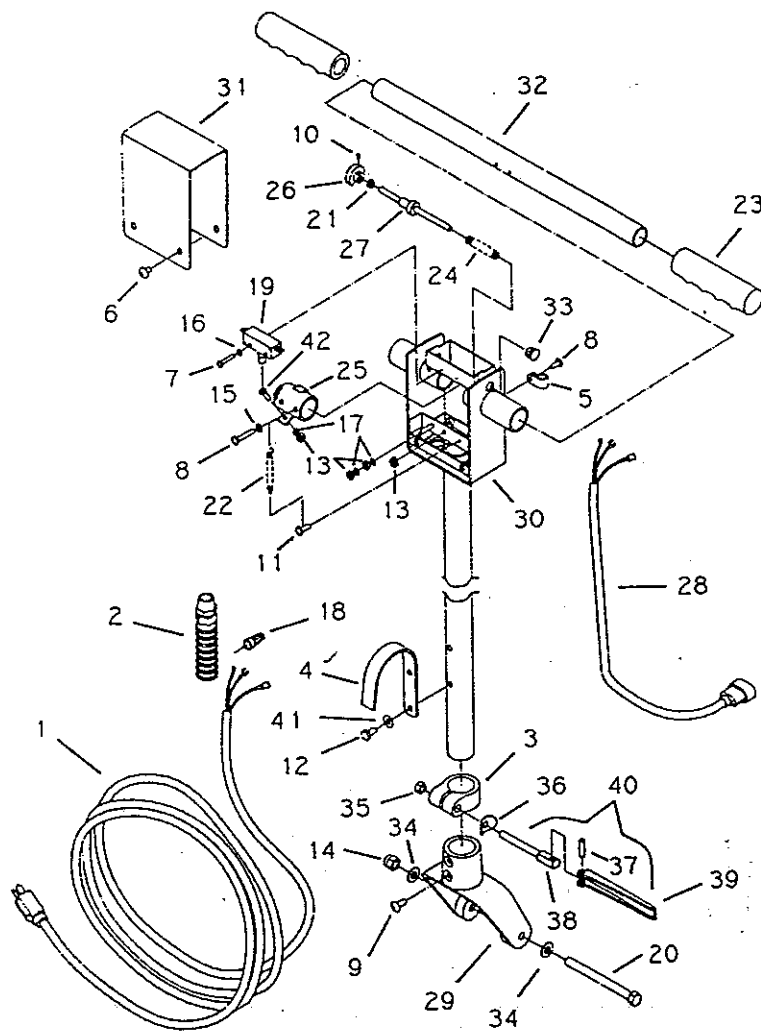
WIRING DIAGRAM 2 SPEED





PARTS LIST

Item	Part No.	Qty	Description
1	130021	1	Brace, Left
2	130022	1	Brace, Right
3	130029	1	Grommet
4	150004	1	Relief Strain
5	170048	1	Axle
6	200003MCH	1	Housing, Brush S20
6A	170002MCH	1	Housing, Brush S17
7	205043	1	Bumper S20
7A	180043	1	Bumper S17
8	740259	1	Triac Control 115V
8A	740274	1	Triac Control 240V
9	832829	2	Tinnerman Nut
10	710196	2	SCR-MC 5/16 - 18 x 5/8
11	711125	2	SCR-ST-B 10 x .50
12	711230	4	BLT-HH 5/16 - 18 x 1.00
13	711400	1	Nut-Pipe Lock 1/2
14	711506	4	WSR-Flat 5/16
15	711509	6	WSR-Flat 1/2
16	711545	4	WSR-Helical 5/16
17	711594	2	WSR-Flat
18	711713	2	Retaining Ring
19	711903	8	Rivet-Pop
20	715075	1	Decal 2-Speed
21	832859	1	Indicator Light 115V
21A	832860	1	Indicator Light 240V
22	740188	1	Switch 20 Amp 1.5 HP
23	740202	1	Rectifier Bridge
24	740271	1	Motor/Gear Assembly 115V
25	740273	1	Motor/Gear Assembly 240V
26	760083	2	Wheel 6"
27	829489	1	Foam Damper
28	760123	1	Motor Cover Mounting Bracket
29	760124	1	Cover 2-Speed
30	762146	1	Cord, Pigtail
31	762160	4	Brush, Carbon
32	829194	1	Motor Top Cover



PARTS LIST

Item	Part No.	Qty.	Description	Item	Part No.	Qty.	Description
1	150002	1	Cord Set 14-3 50'	20	760261	1	Bolt, Handle Yoke
1A	740600	1	Cord, International	21	762060	1	Bushing Snapin
2	150003	1	Relief, Strain	22	762084	1	Spring
2A	150004	1	Strain Relief Heyco	23	762086	2	Grip, Handle
3	16224	1	Handle Clamp	24	762103	1	Spring
4	170040PLT	1	Cord Hook	25	762128MCH	1	Handle Lock
5	250038	1	Retainer	26	762129	1	Button
6	710177	4	SCR-MC 1/4-20 x .37	27	762143PLT	1	Pin, Switch
7	710207	2	SCR-MC 6-32 x .87	28	762156	1	Cord, Handle
8	710356	3	SCR-MC 10-32 x .62	29	803379	1	Yoke, Painted
9	710579	2	SCR-MC 1/4-20 x .62	30	832343	1	Handle Tube Weldment
10	711001	1	SCR-SK 3-32 x .12	31	832344	1	Switch Box Cover
11	711125	1	SCR-ST-B 10 x.50	32	762067	1	Tube, Handle
12	711202	2	BLT-HH 1/4-20 x .50	33	830803	1	Heyco Plug Blk 1/2
13	711310	3	Nut-Hex 10-32	34	711515	2	WSR-Flat
14	711375	1	Nut-Nyloc 3/8-16	35	711374	1	Nut-Nyloc 5/16-18
15	711543	2	WSR-Helical #10	36	806555	1	Washer Cam
16	711551	2	WSR-Internal Lock #6	37	806561	1	Pin Dowel
17	711553	3	WSR-Internal Lock #10	38	807190	1	Bolt Cam
18	740005	1	Cap, Wire	39	806558	1	Kick Lever
19	740029	1	Switch 1.5 HP	40	807674	1	Kick Lever Kit